

Date _____
 AVFI Sales REP _____
 Customer Signature _____

Quote No. _____
 Customer No. _____
 AVFI No. _____

Office Use Only

To generate your order form, please refer to the information provided below to insert the alphabetic and/or numeric code in the respective category boxes. Please note that without this filled out Order Form, your purchase **cannot** be processed.




1	2	3	4
Product Model	Finish	Chargeable Accessories (One Code Per Box)	Custom Cutouts
PD3003			

1 Product Model





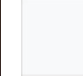
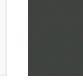
Code **PD3003**

2 Choose Product Finish

Standard Finishes (Ships within 1-15 business days)

 Code BPL (Bartlett Pearwood)	 Code BWL (Brazilian Walnut)	 Code BKL (Black)
--------------------------------------------------------------------------------------------------------------------------	---------------------------------------------------------------------------------------------------------------------------	----------------------------------------------------------------------------------------------------------------

Optional Finishes (Ships within 20 business days)

 MPL	 ARL	 BRL	 CHL	 WHL	 STL
-----------------------------------------------------------------------------------------------	------------------------------------------------------------------------------------------------	------------------------------------------------------------------------------------------------	------------------------------------------------------------------------------------------------	------------------------------------------------------------------------------------------------	------------------------------------------------------------------------------------------------

- ### 3 Chargeable Accessories (Check all that apply)
- Code **00** No Accessories
 - Code **A1** SH-FL Additional Folding Side ShelfQty
 - Code **A3** SH-LE Additional Interior ShelfQty
 - Code **B1** 9031-1 1U Utility Metal Shelf (Rack required).....Qty
 - Code **B2** 9031-2 2U Utility Metal Shelf (Rack required).....Qty
 - Code **B3** 9031-3 3U Utility Metal Shelf (Rack required).....Qty
 - Code **B4** 9041 Sliding Metal Shelf(Front+Rear Rack required)....Qty
 - Code **B5** 9052-2 2U Sliding Metal Drawer(Rack required)....Qty
 - Code **B6** 9052-3 3U Sliding Metal Drawer(Rack required)....Qty
 - Code **C3** CNL28 Removable Console.....Qty
 - * Code **D1** MIC-18 MX418 S/C MicrophoneQty
 - * Code **D2** LIGHT-18 Gooseneck LightQty
 - * Code **D3** FM3 Timer/ClockQty
 - Code **D4** FAN Quiet Cooling FanQty
 - * Code **E0** POP5 Power-Data Module.....Qty
 - Code **E1** PB 6 Outlet Power Bar.....Qty
 - * Code **E3** CUB3 Round Cable WellQty
 - * Code **E4** SF-PB3 3 Outlet Power Bar.....Qty
 - * Code **E5** CUB5 Black Round Cable WellQty
 - * Code **E6** CUB5 Silver Round Cable WellQty
 - * Code **E7** PC-PATCH Power-Data ModuleQty
 - * Code **E8** CUB8 Table Top Cable WellQty
 - * Code **EA** CUB4S Silver Power PanelQty
 - * Code **EB** CUB4B Black Power PanelQty
 - * Code **EC** CHGQIW Wireless Charging Station White.....Qty
 - ** Code **ED** CHGQI-DNGL Dongle Lightning, 30 pin, Micro-USBQty
 - Code **H2** RMT14 14U Rack Frame (Replaces interior shelf) ...Qty
 - Code **J1** 9107 Lacing Bar.....Qty
 - Code **J4** DIR9200-10 10U Rack ModuleQty
 - Code **J5** DIR9200-12 12U Rack Module.....Qty
 - Code **K1** C900S Single Monitor ArmQty
 - Code **K2** C900D Dual Monitor Arm.....Qty
 - Code **K3** PLM1022 Monitor Mount.....Qty
 - Code **K4** MM1232 Monitor Mount.....Qty
 - Code **M5** MCB1925 Monitor/Camera Bracket.....Qty
 - Code **Q1** LEV4AX4 4x Levelers for Non-Mobile ApplicationsQty

Comments (Please use this section to provide additional information)

Notes

CAD Drawings/Symbols
 CAD drawings are available by request at sales@vegroup.net

Custom Cutouts
 Estimated lead time within 20 business days from receipt of P.O. and signed drawings.

Customizations
 Modifications to design such as shape and/or size variations have to be quoted on a per case basis and are applicable for quantities of 10+ only.

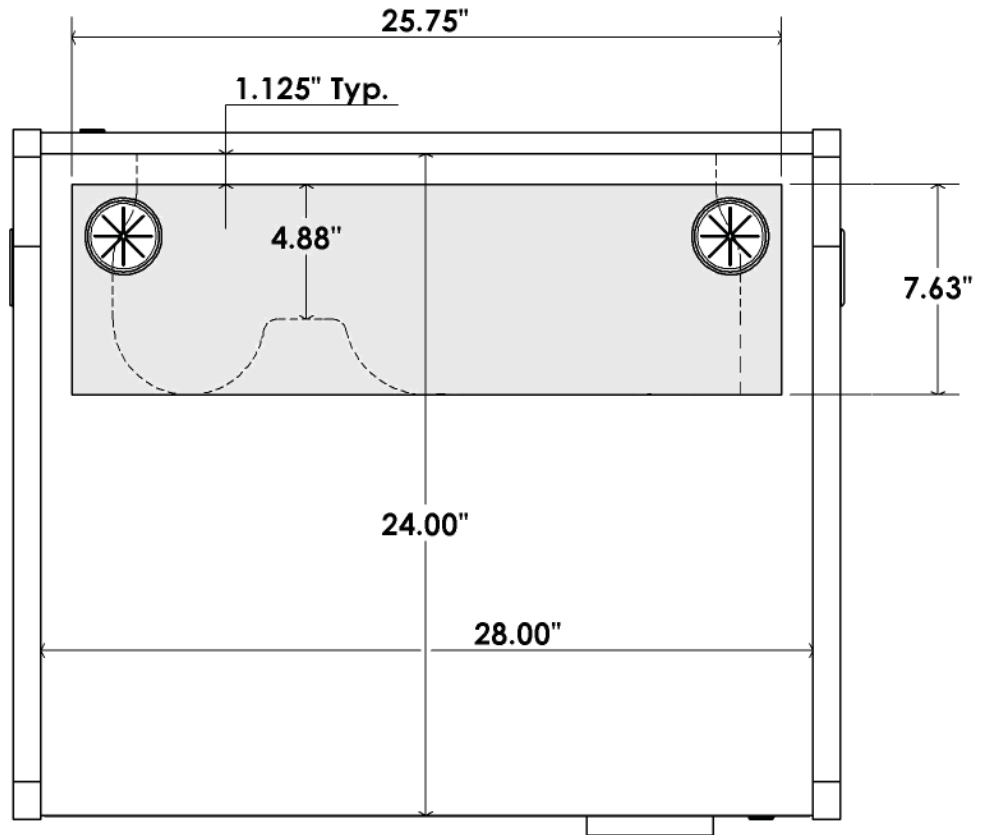
Custom Cutout Option on Page 2

* Cutout Required (Extra Charges will apply)
 ** Requires CHGQIW accessory

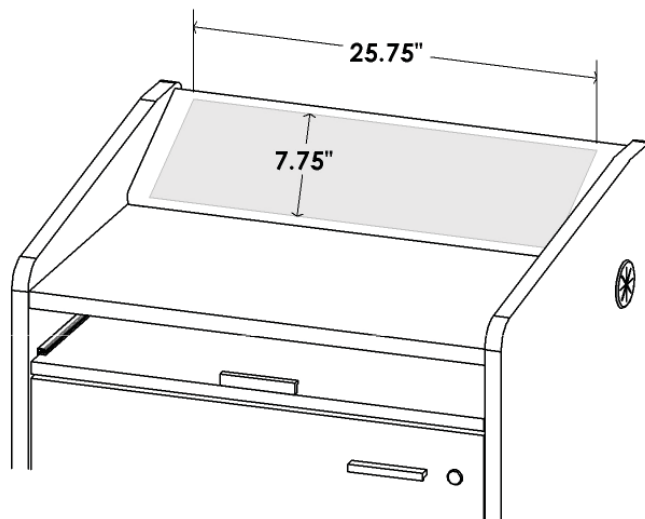
Please indicate custom cutout location on the drawing(s) below

4 Custom Cutout Option (Extra charges will apply)

Flat Surface
cutout



Console CNL28
cutout



Code **CO** No Custom Cutout

Code **CC** Custom Cutout (Specify on Cutout Area Above)

Cutout Area **Flat Surface** (25.75"W X 7.63"D)/**Console CNL28** (25.75"W X 7.75"D)